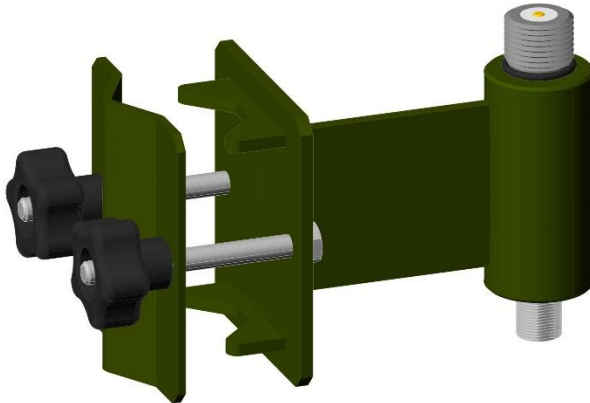


BMS-100

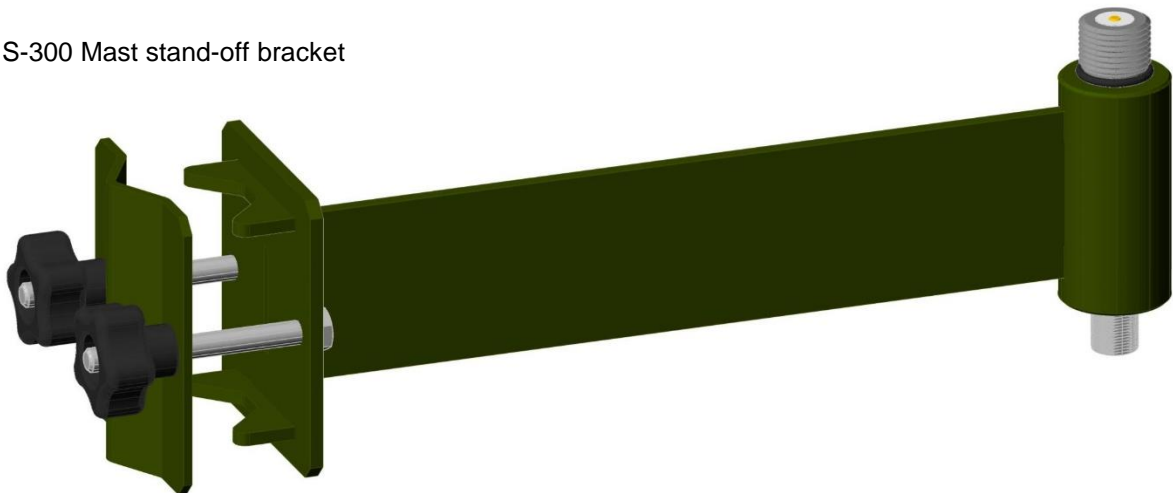
BMS-300

Mast stand-off brackets for BCF antenna family

BMS-100 Mast stand-off bracket



BMS-300 Mast stand-off bracket



BMS mast stand-off brackets are for mounting any BCF family antenna onto a mast. There are two versions available, both feature fast mounting brackets that don't require any tools for mounting to a mast.

Part numbers

BA12-0101
BA12-0301

BMS-100, Length 100mm, N connector
BMS-300, length 300mm, N connector